



UNIVERSITY UNION

UNT

EVENT PLANNING AND SCHEDULING SERVICES

MEETING ROOM 227

VIEW FROM MAIN ENTRANCE



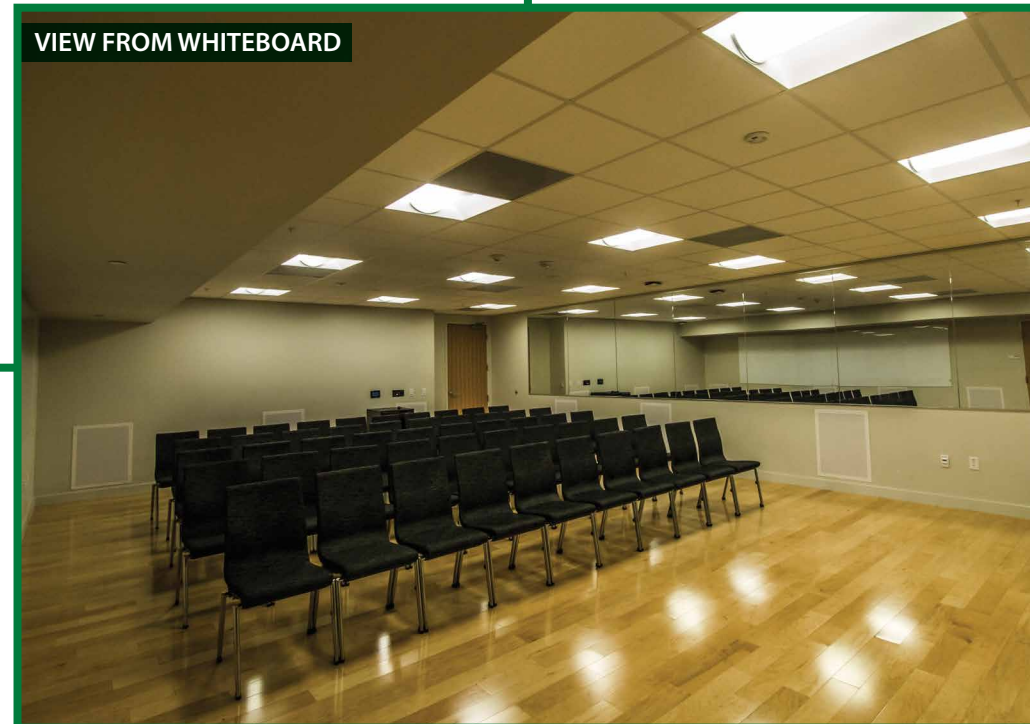
FEATURES

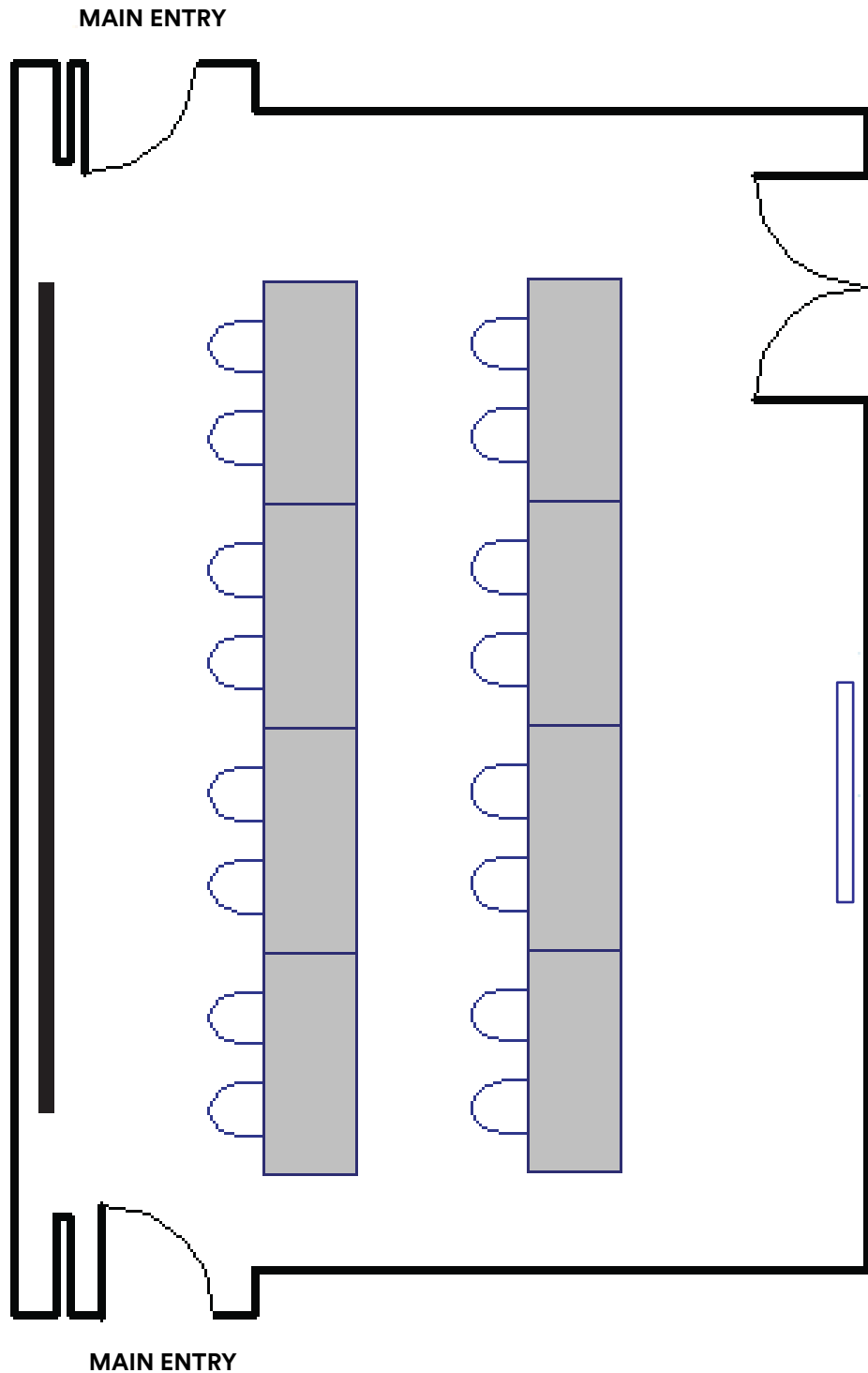
- Built in sound system
- Aux inputs for customer provided devices
- CD player with iPod dock
- Built in wireless microphone/headset
- 7 mirrors
- 2 whiteboards
- Trash receptacles
- Dance space

VIEW FROM MIRROR

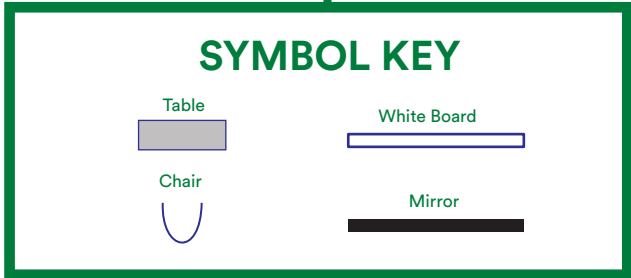


VIEW FROM WHITEBOARD

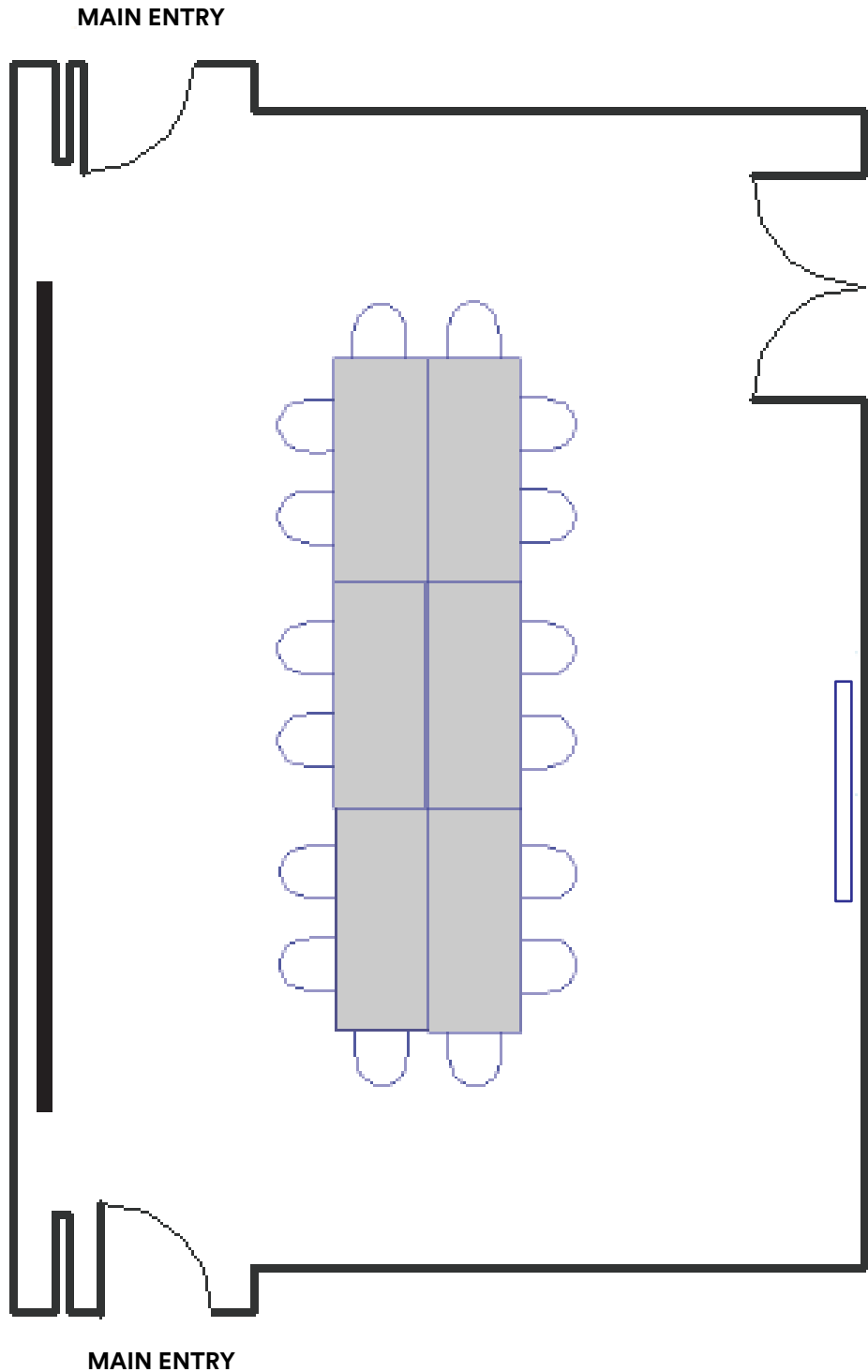




CLASSROOM CONFIGURATION
 682 SQ/FT 22' x 31'9"
 MAX SEATING: 16*







*Please note that the addition of catering or any additional services or features will affect your max seating. Please contact your event specialist for additional information on this matter.



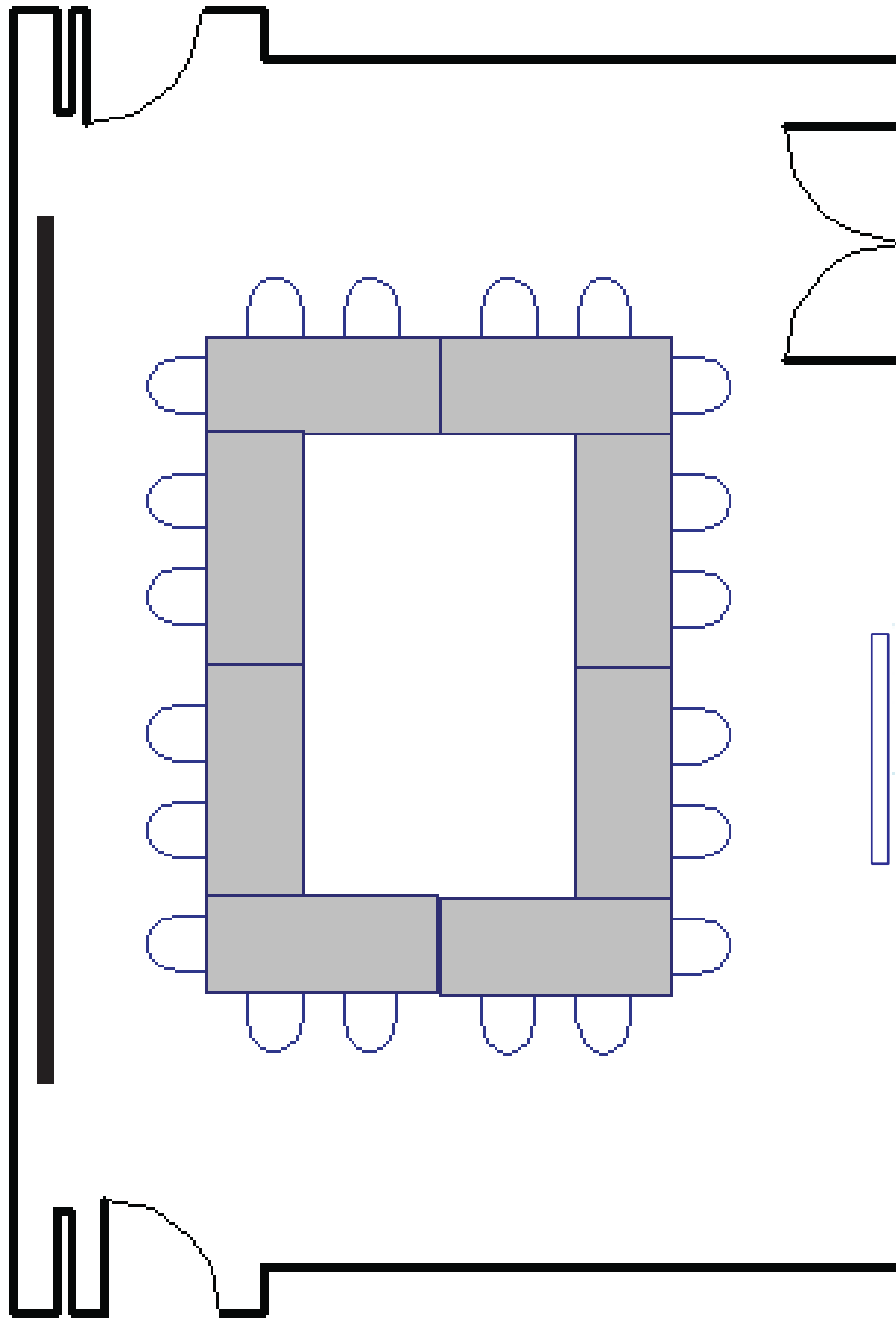
CONFERENCE CONFIGURATION
 682 SQ/FT 22' x 31'9"
 MAX SEATING: 16*

SYMBOL KEY

Table 	White Board 
Chair 	Mirror 

*Please note that the addition of catering or any additional services or features will affect your max seating. Please contact your event specialist for additional information on this matter.

MAIN ENTRY



HOLLOW SQUARE CONFIGURATION

682 SQ/FT

22' x 31'9"

MAX SEATING: 20*

SYMBOL KEY

Table



Chair



White Board



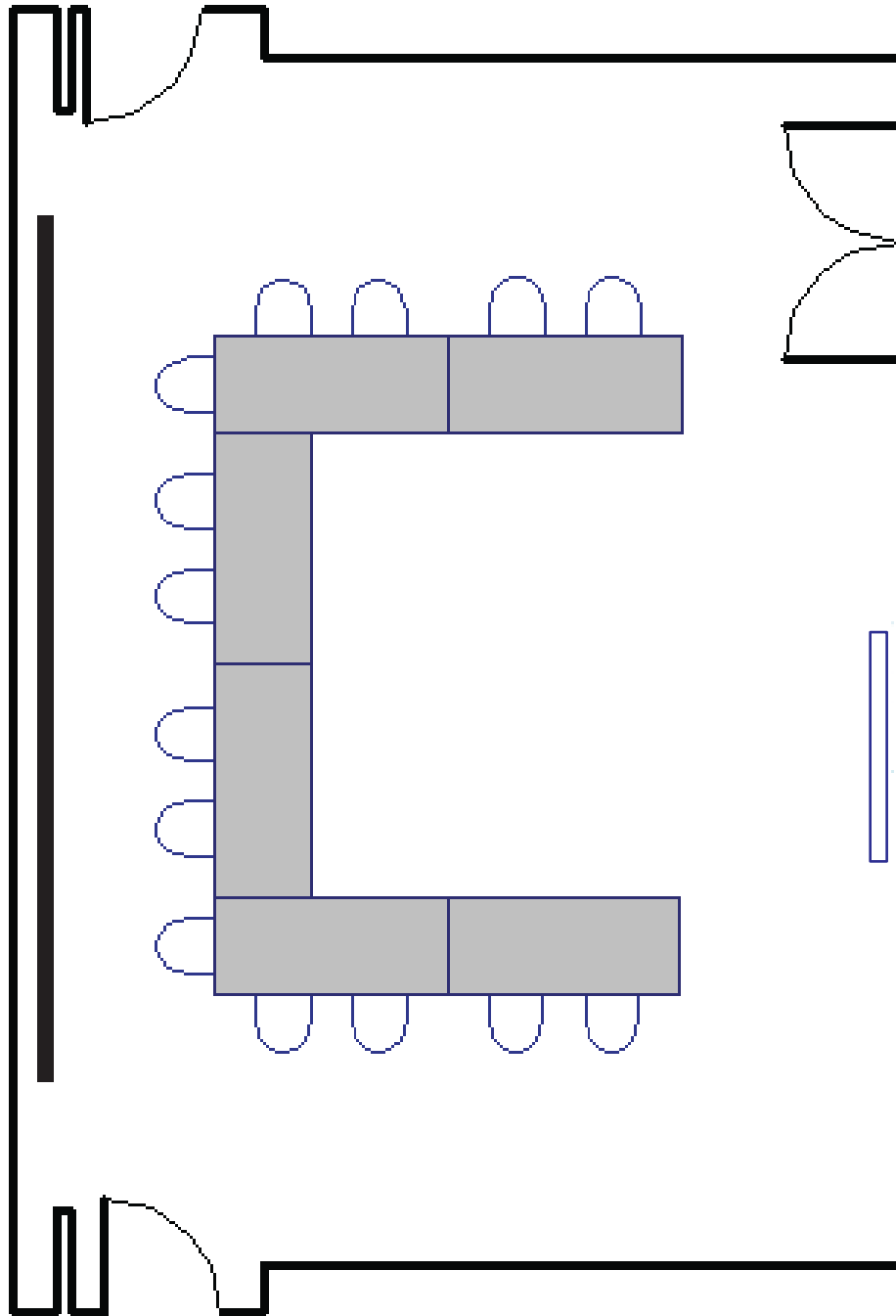
Mirror



*Please note that the addition of catering or any additional services or features will affect your max seating. Please contact your event specialist for additional information on this matter.

MAIN ENTRY

MAIN ENTRY



MAIN ENTRY

OPEN-U CONFIGURATION

682 SQ/FT

22' x 31'9"

MAX SEATING: 14*

SYMBOL KEY

Table



Chair



White Board

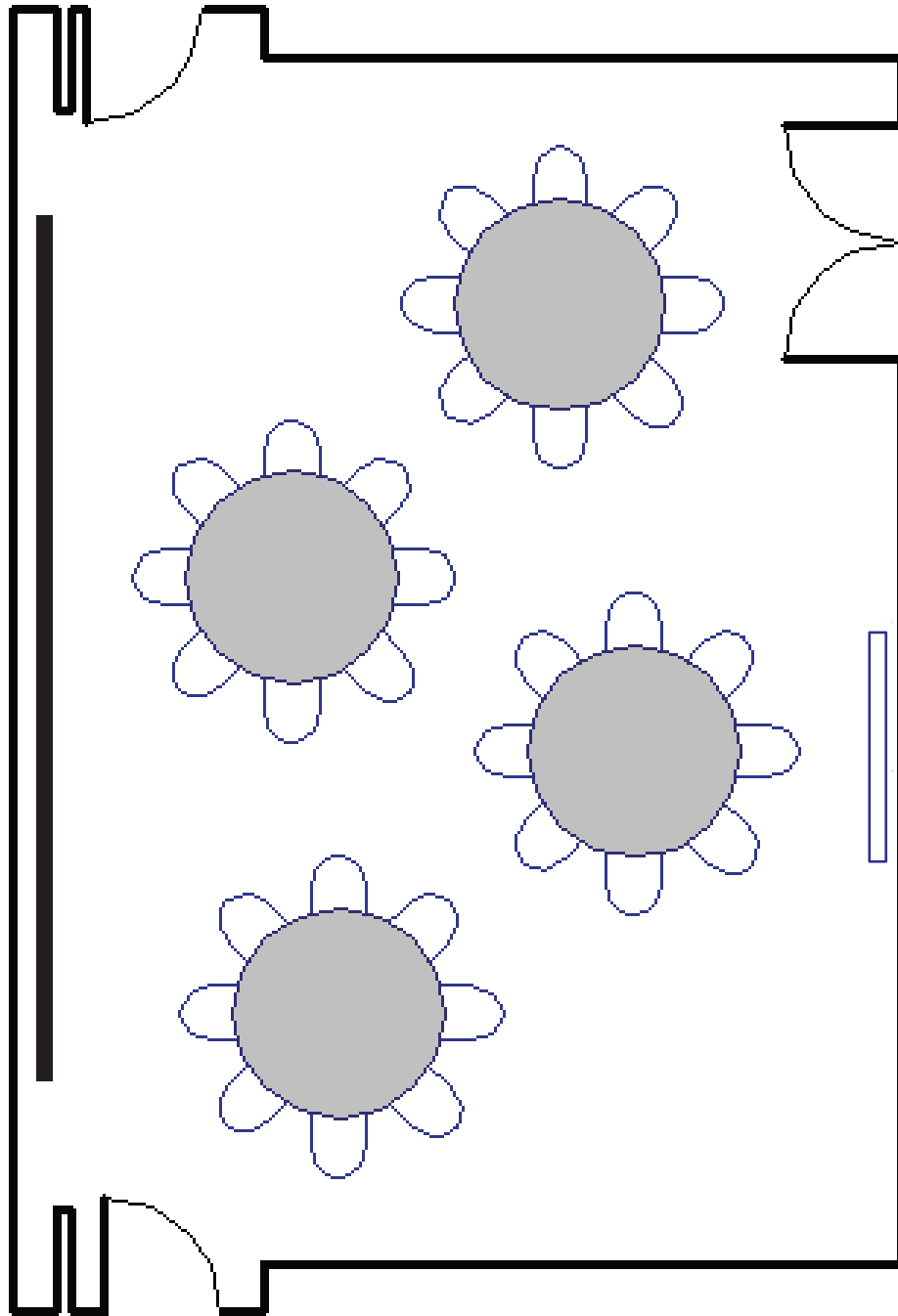


Mirror



*Please note that the addition of catering or any additional services or features will affect your max seating. Please contact your event specialist for additional information on this matter.

MAIN ENTRY



MAIN ENTRY

ROUNDS CONFIGURATION

682 SQ/FT

22' x 31'9"

MAX SEATING: 32*

SYMBOL KEY

Chair



Table



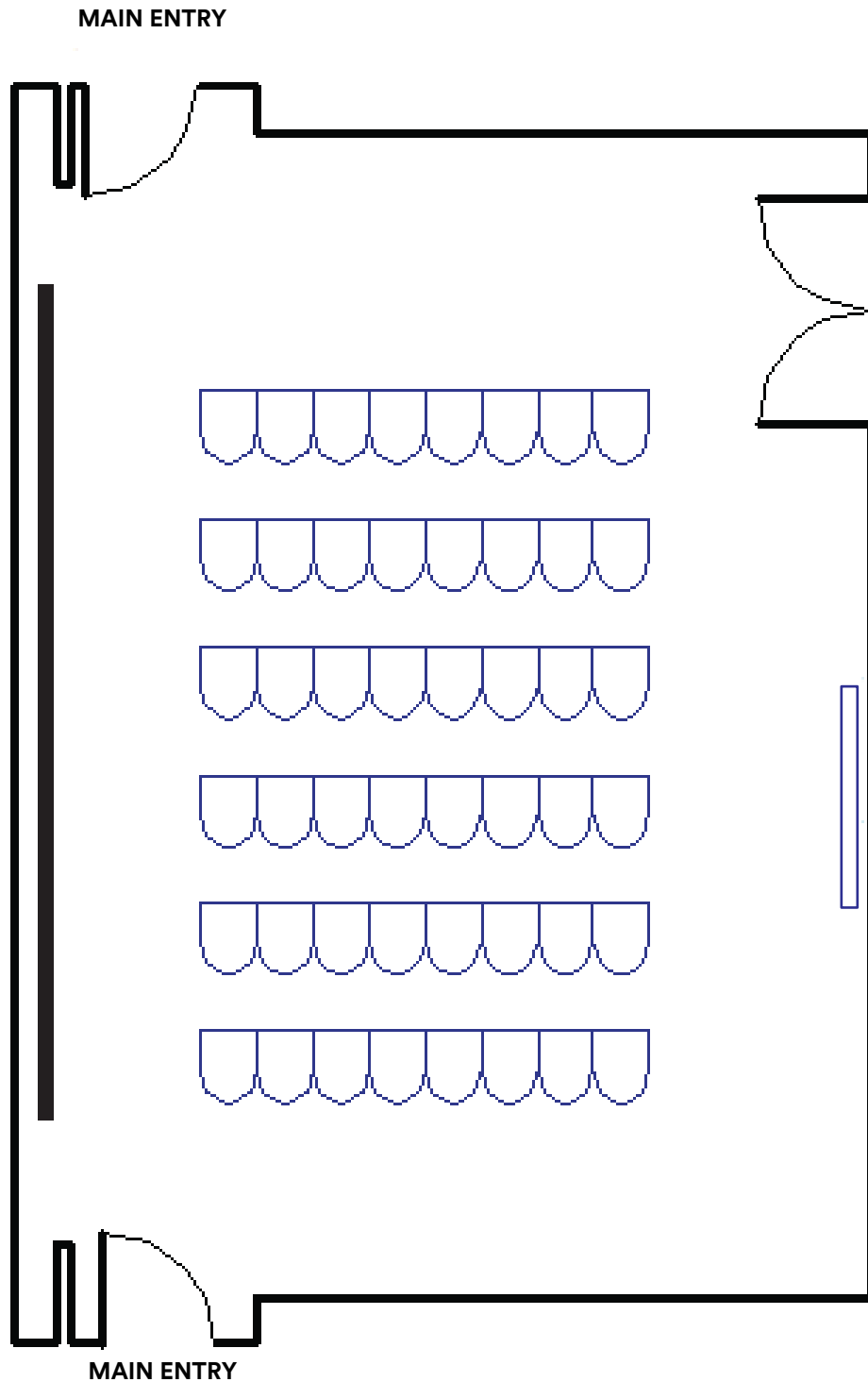
White Board



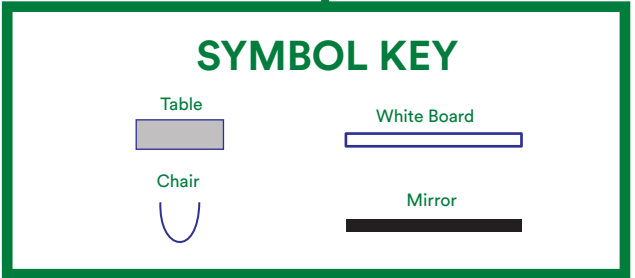
Mirror



*Please note that the addition of catering or any additional services or features will affect your max seating. Please contact your event specialist for additional information on this matter.



THEATER CONFIGURATION
 682 SQ/FT 22' x 31'9"
 MAX SEATING: 48*



*Please note that the addition of catering or any additional services or features will affect your max seating. Please contact your event specialist for additional information on this matter.